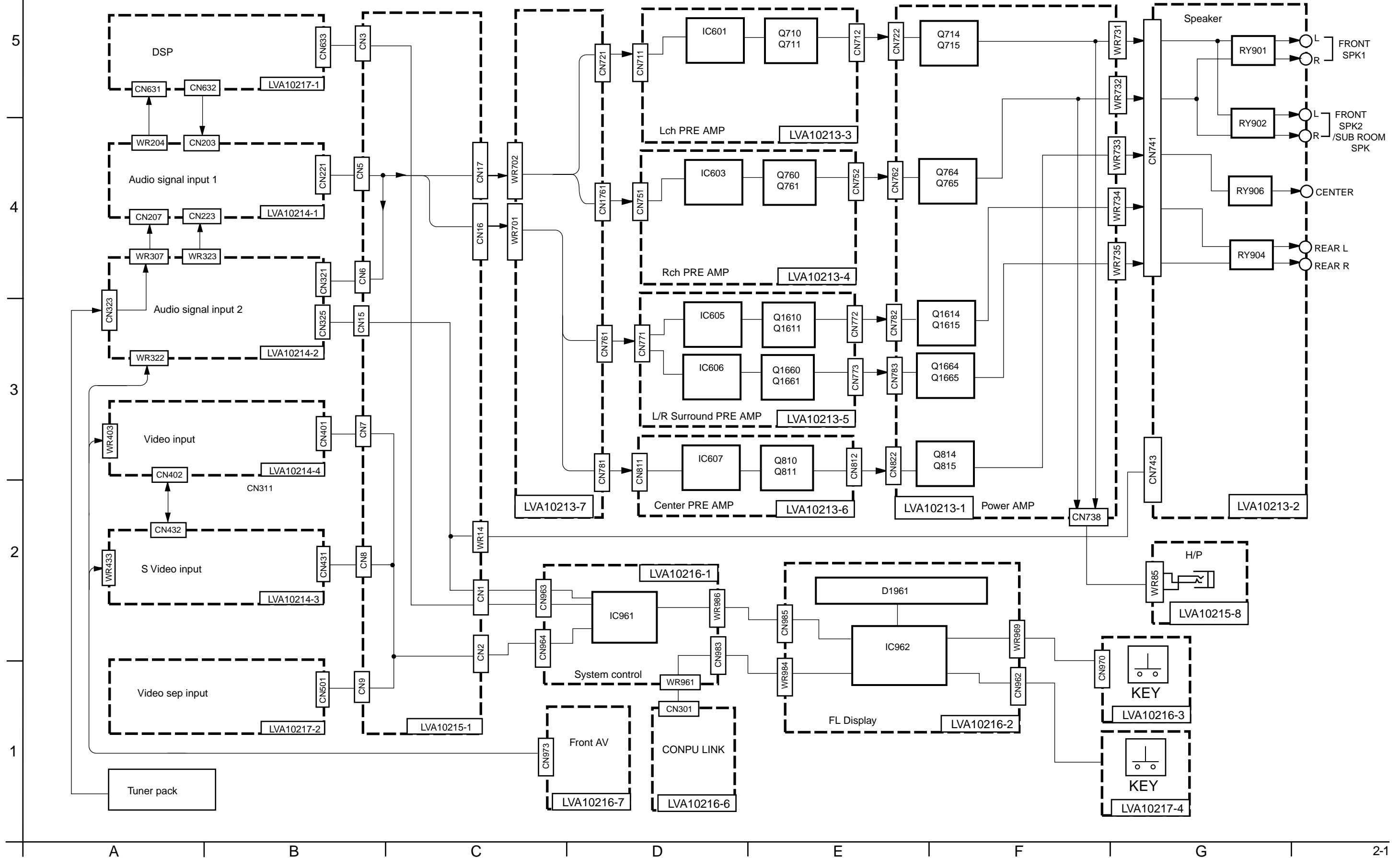
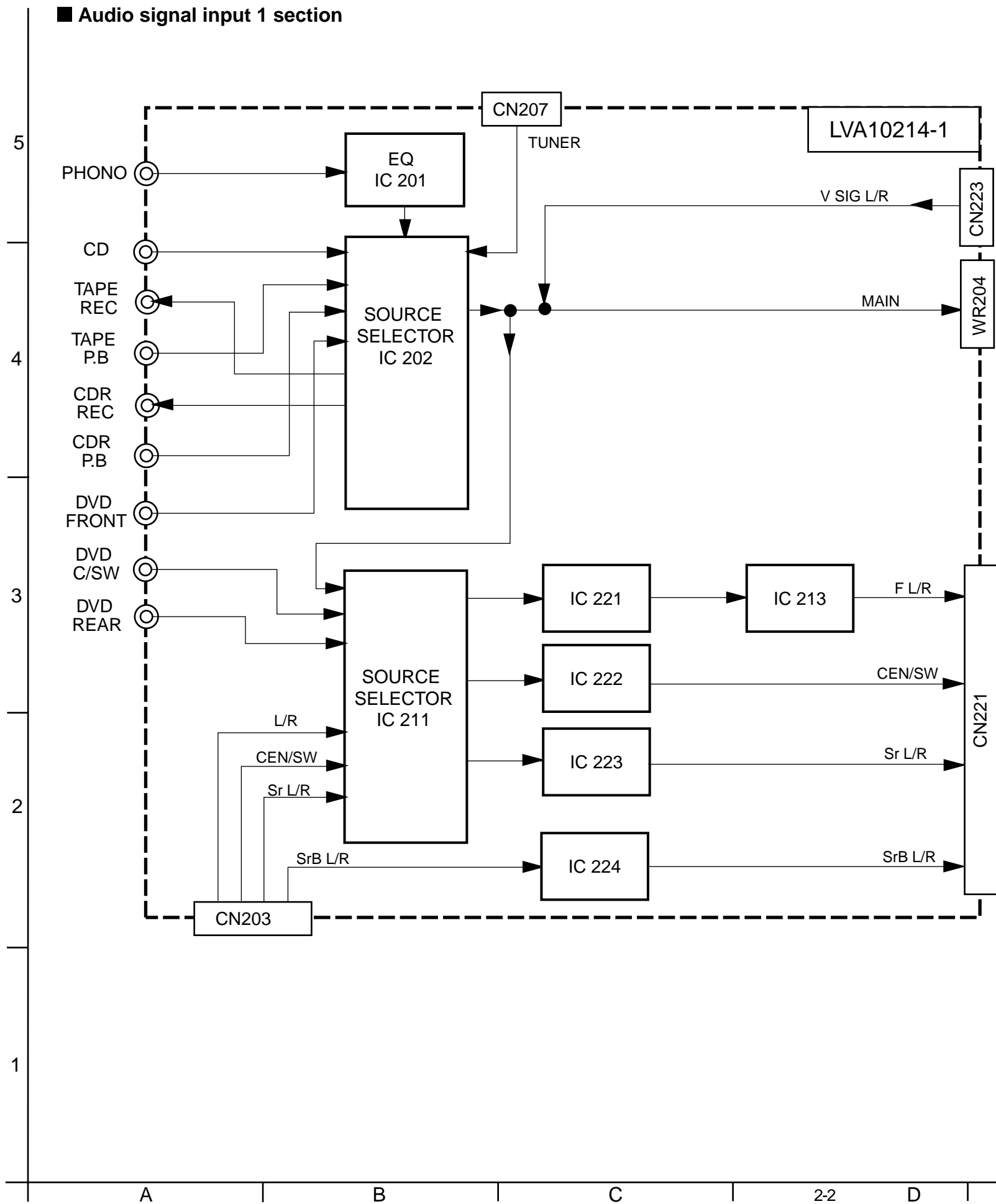


# Block diagrams

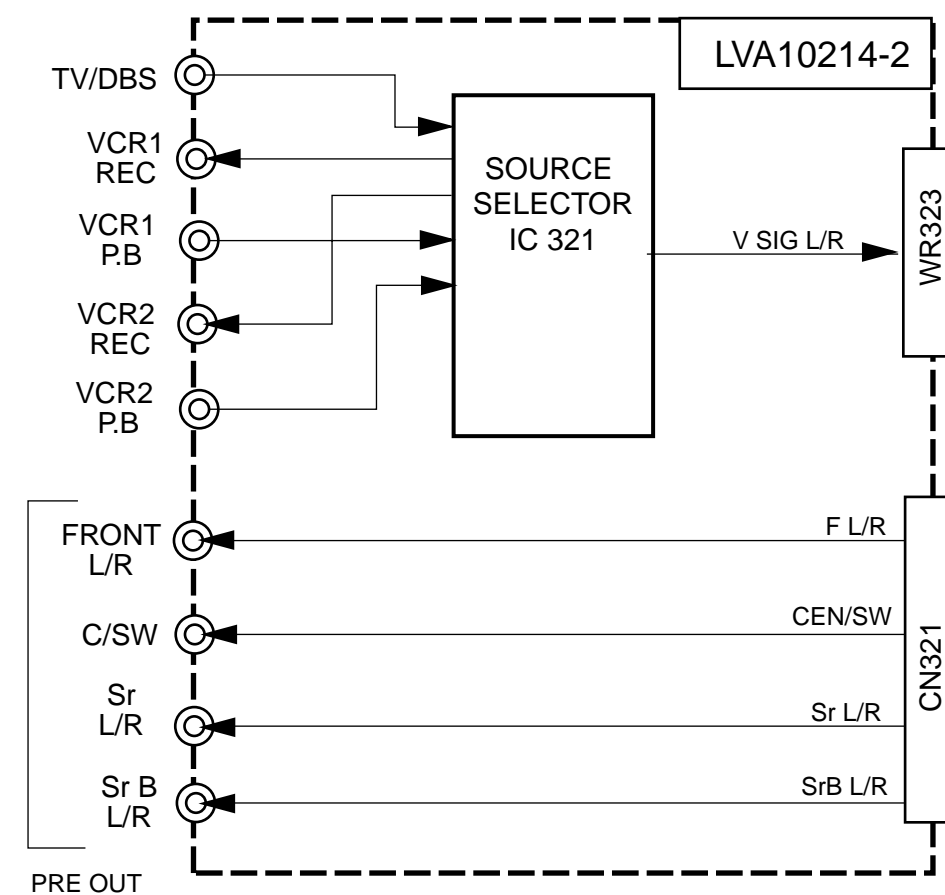
■ Signal I/O & Main block section



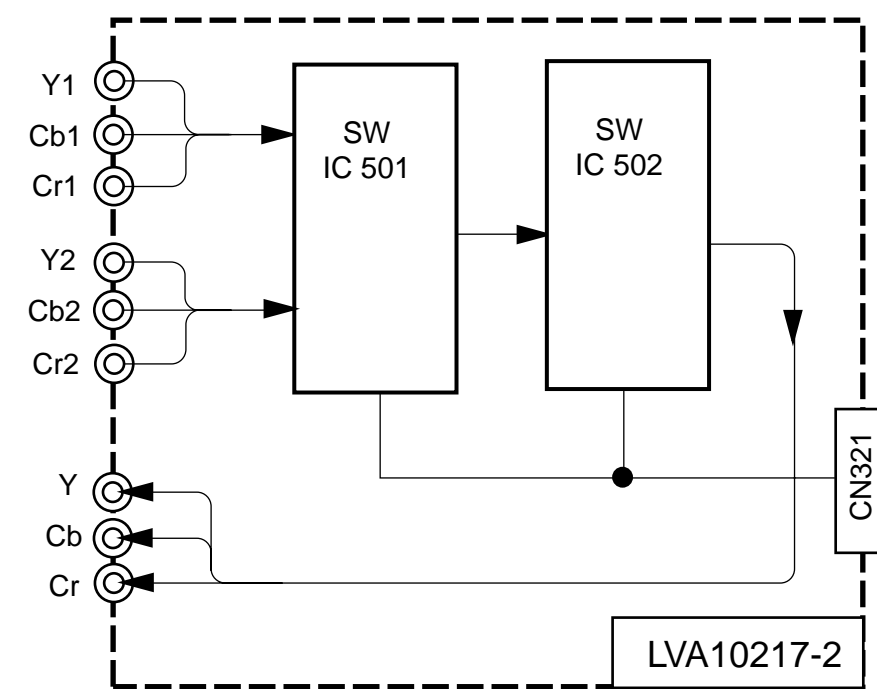
■ Audio signal input 1 section



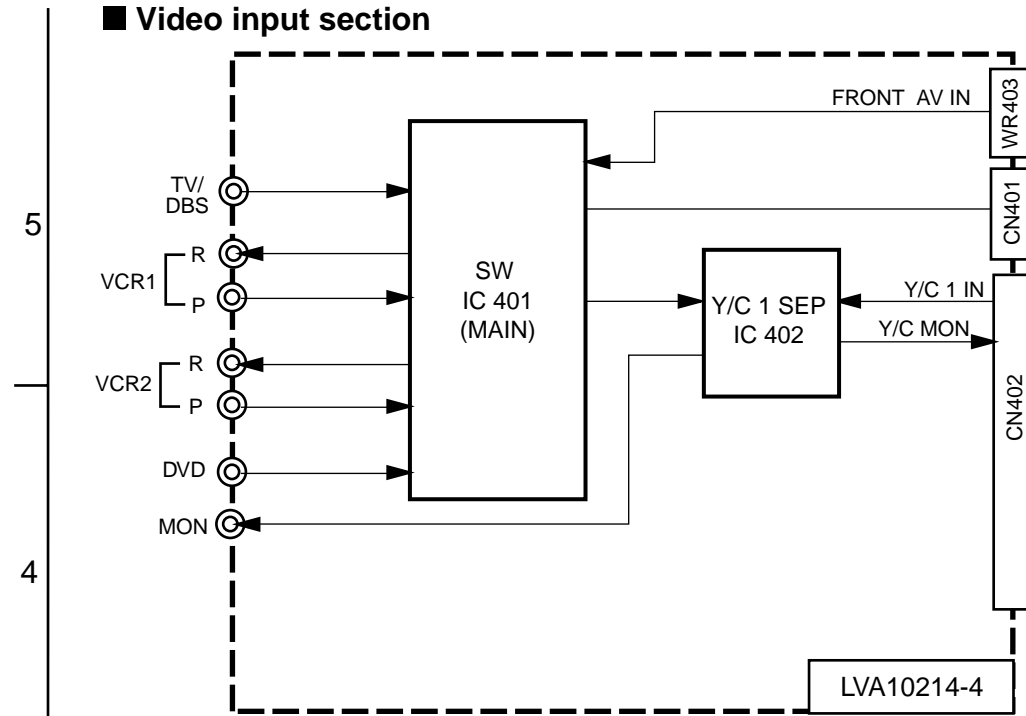
■ Audio signal input 2 section



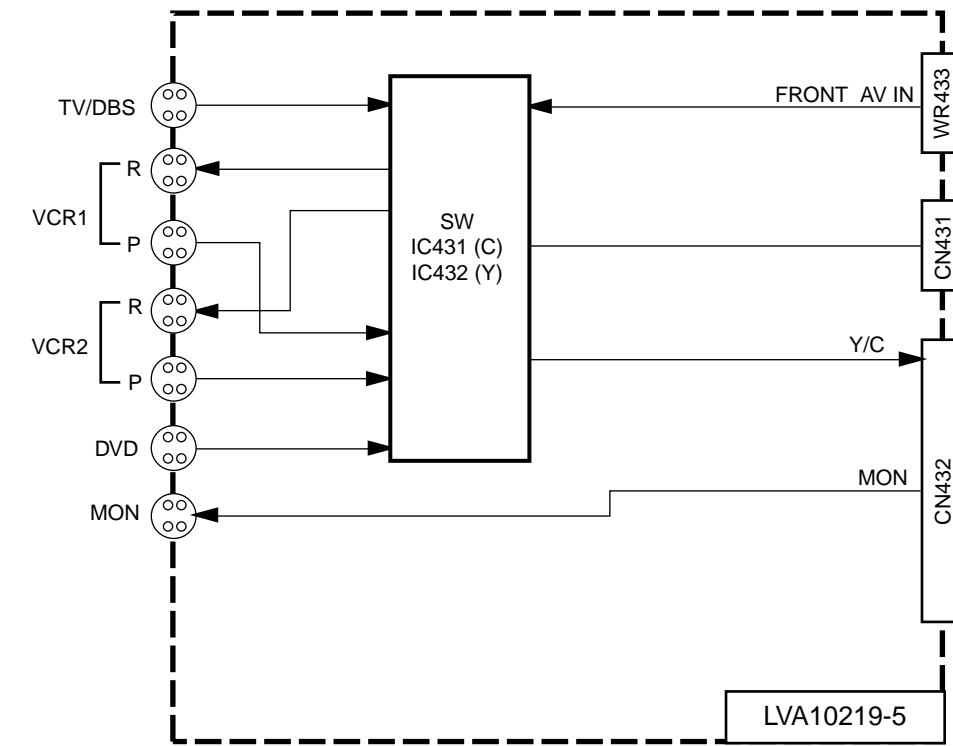
■ Video SEP input section



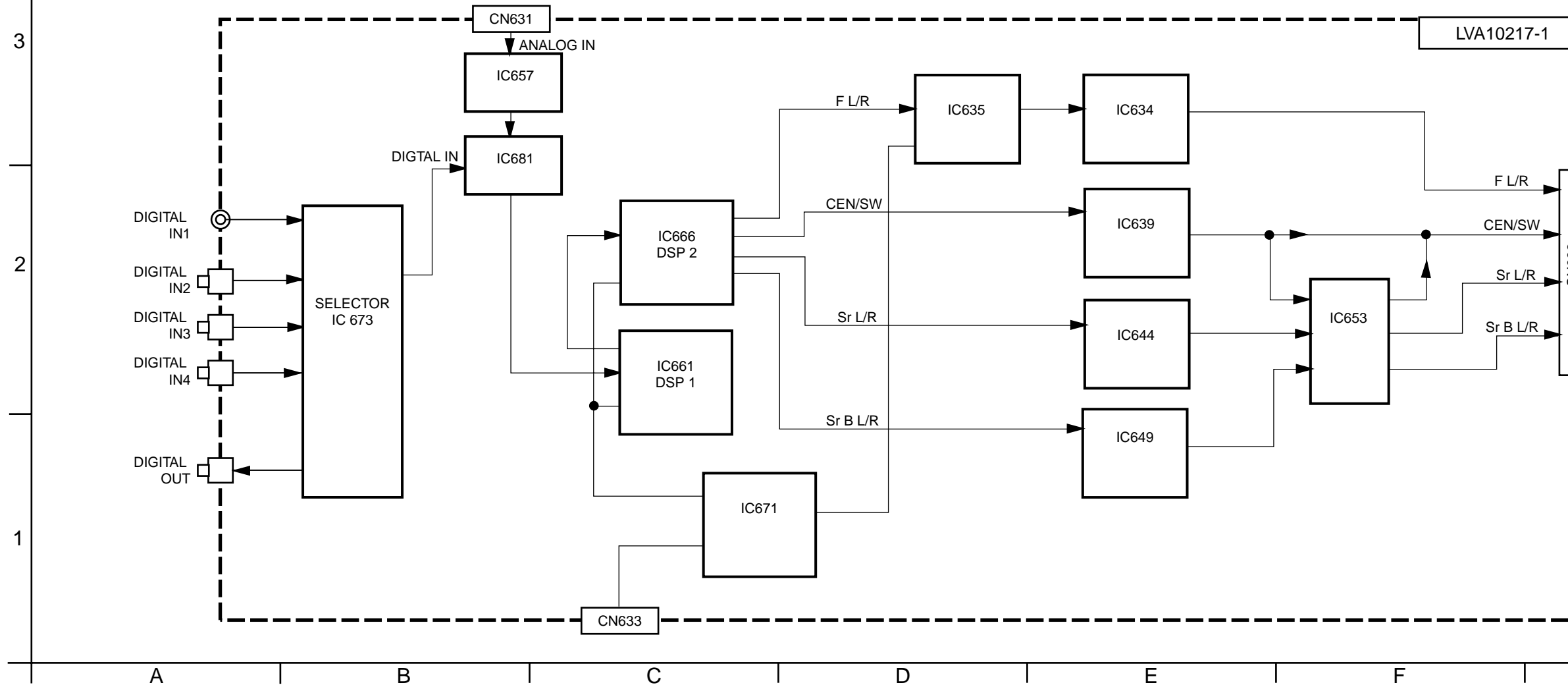
■ Video input section



■ S Video input section



■ DSP section



# Standard schematic diagrams

## Power supply section

5

Sheet 9/10

Sheet 4/10

4

Sheet 4/10

Sheet 5/10

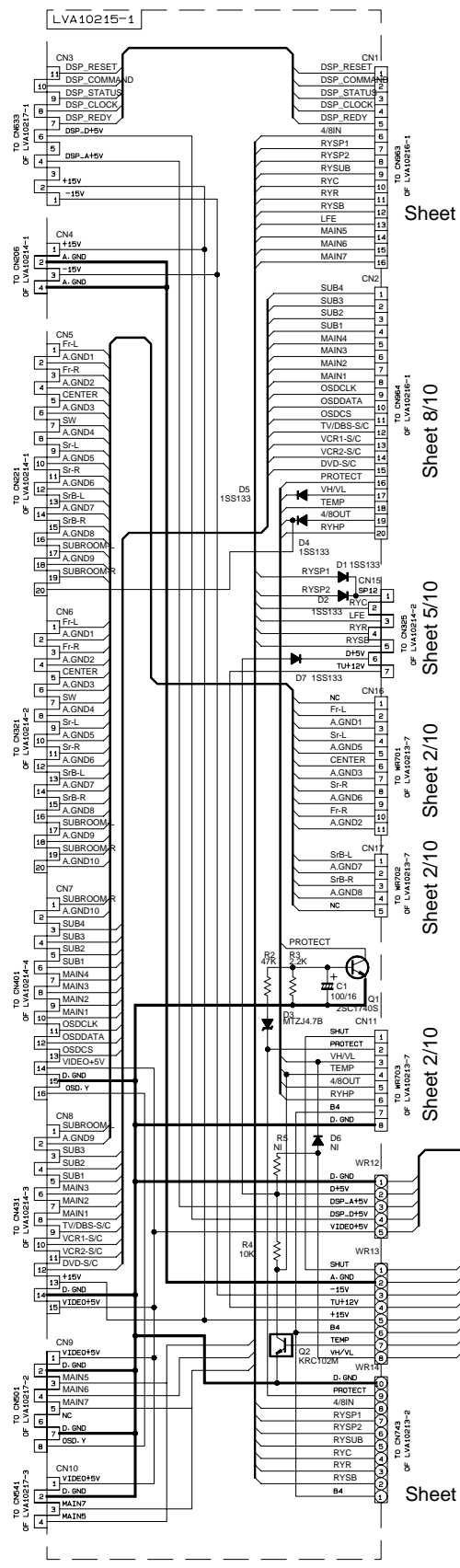
2

Sheet 6/10

Sheet 6/10

Sheet 7/10

Sheet 7/10



Sheet 8/10

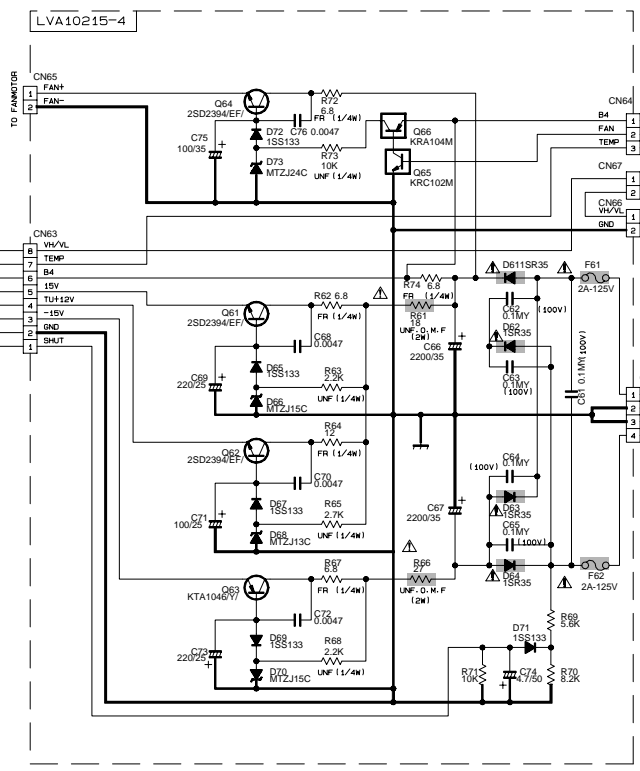
Sheet 5/10

Sheet 2/10

Sheet 2/10

Sheet 2/10

Sheet 3/10



Sheet 3/10

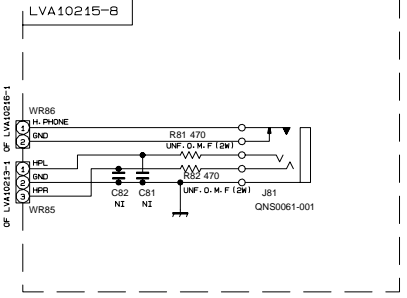
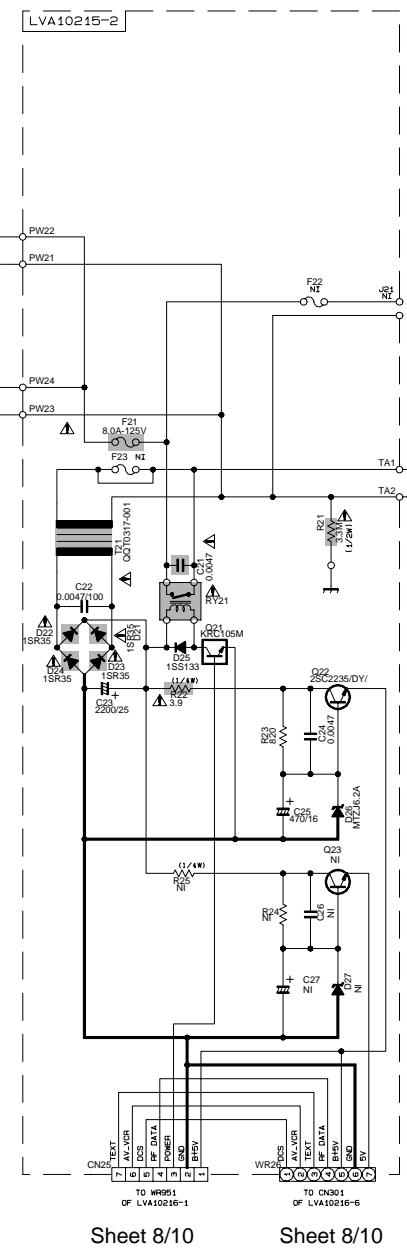
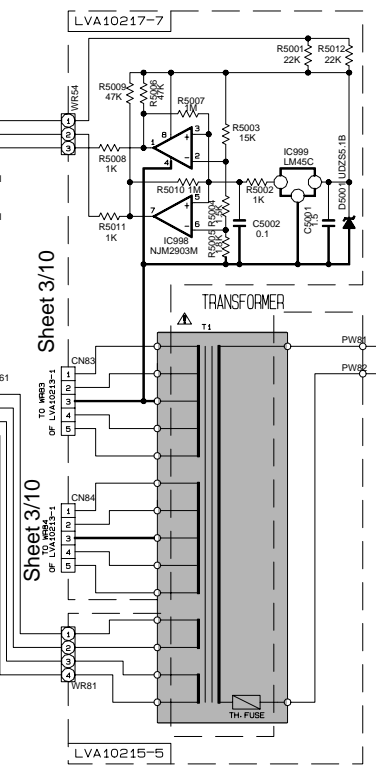
Sheet 3/10

Sheet 8/10

Sheet 8/10

Sheet 8/10

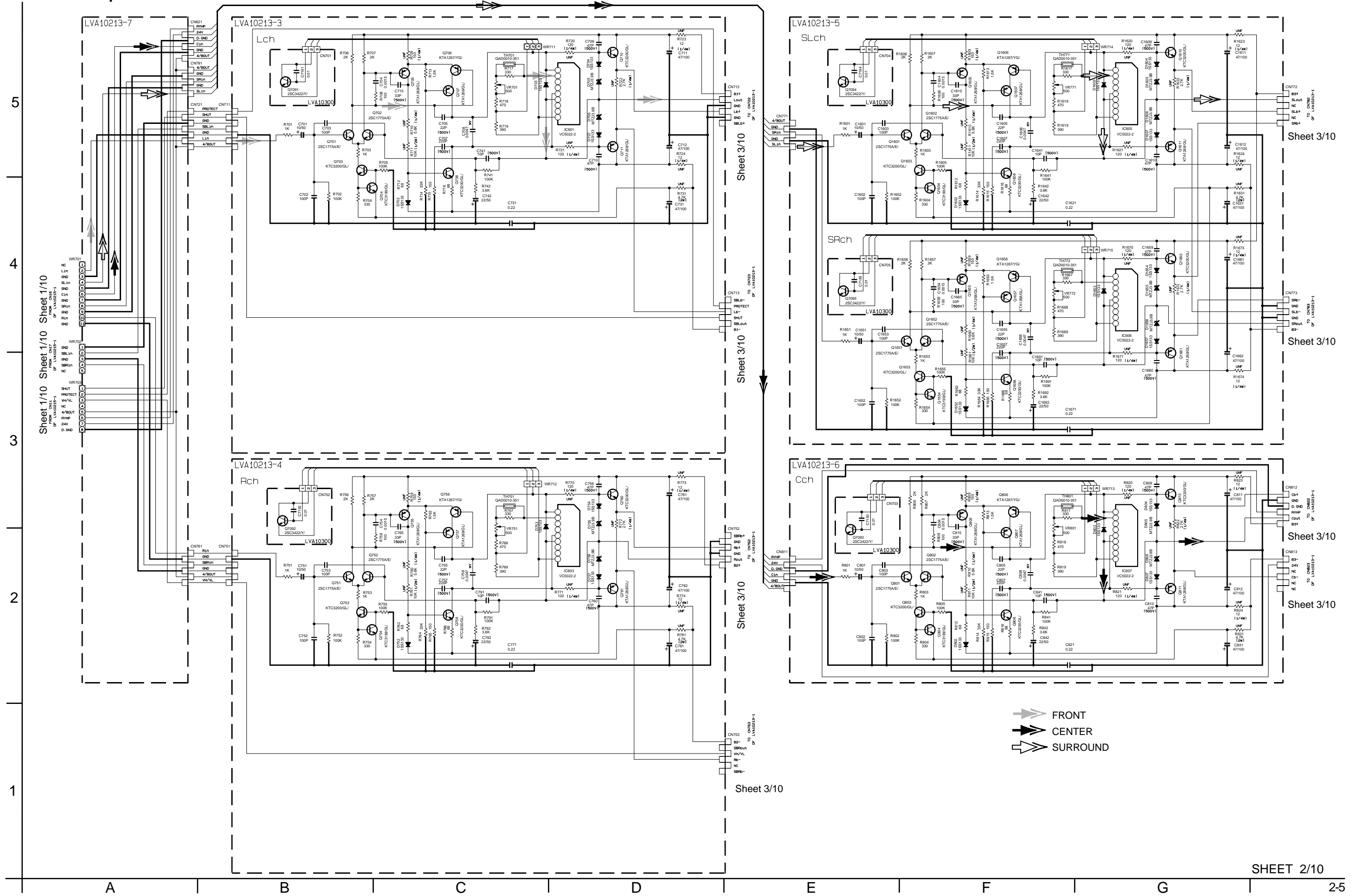
Sheet 8/10



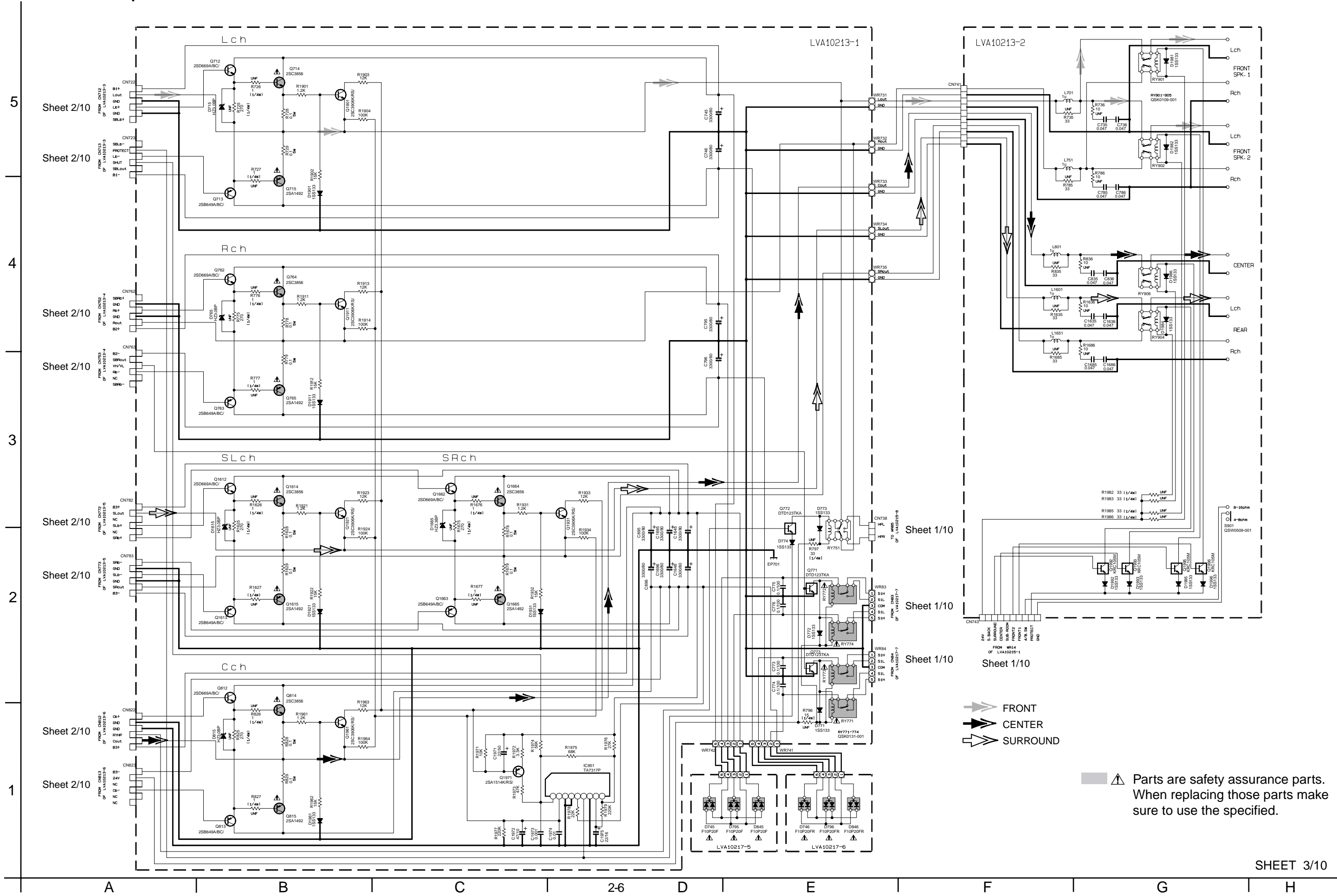
SHEET NUMBER	CIRCUIT DISCUPTION
1/10	Power supply
2/10	Pre amp.
3/10	Power amp.
4/10	Audio signal input 1
5/10	Audio signal input 2
6/10	Video signal input 1
7/10	Video signal input 2
8/10	FL display & system control
9/10	DSP
10/10	

Parts are safety assurance parts. When replacing those parts make sure to use the specified.

■ Pre amp. section

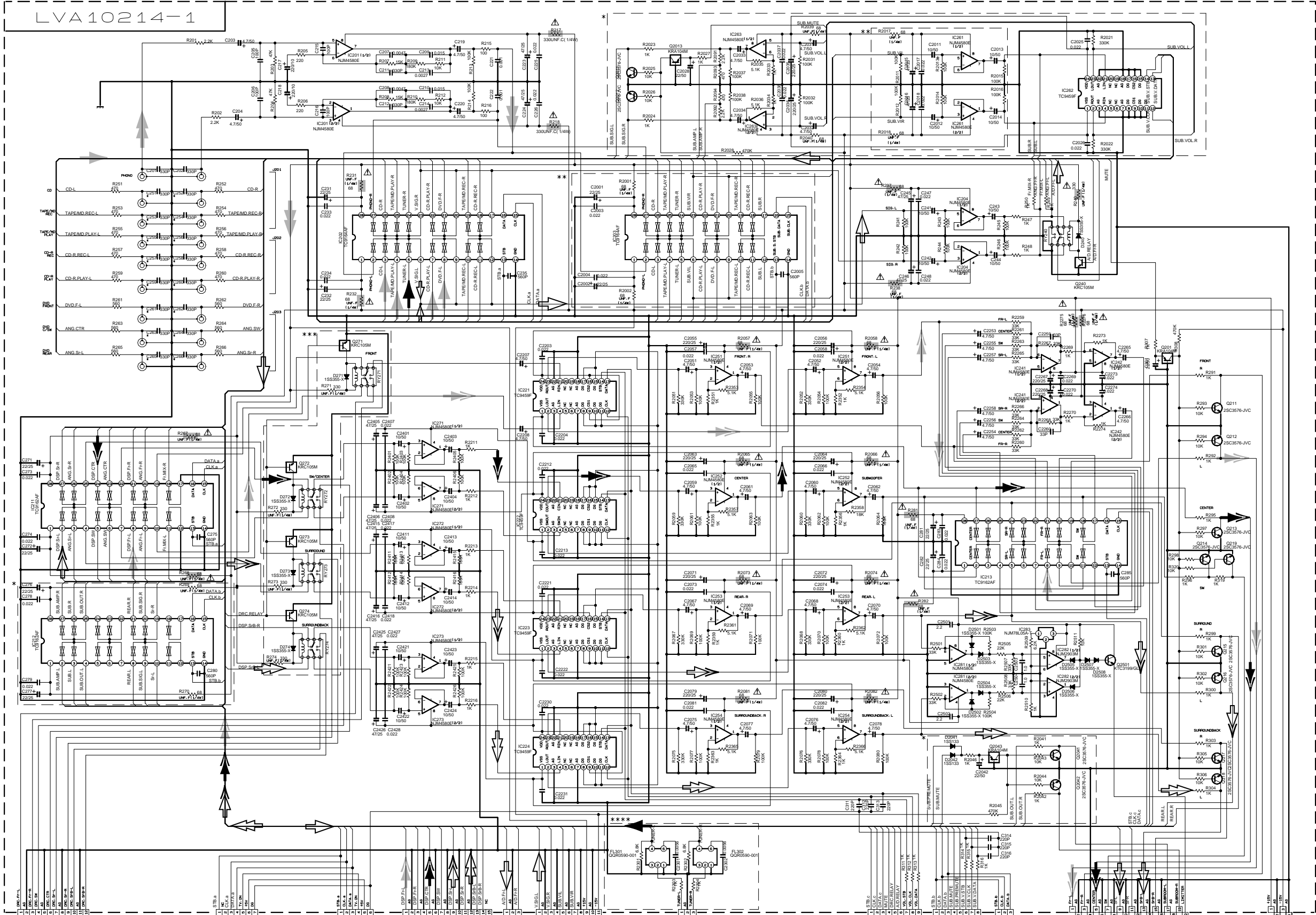


Power amp. section



Parts are safety assurance parts. When replacing those parts make sure to use the specified.

Audio signal input 1 section



- ▶ AUDIO
- ▶ TUNER
- ▶ PHONO
- ▶ MAIN
- ▶ FRONT
- ▶ CENTER
- ▶ SURROUND
- ▶ SURROUND BACK

Parts are safety assurance parts. When replacing those parts make sure to use the specified.

5  
4  
3  
2  
1

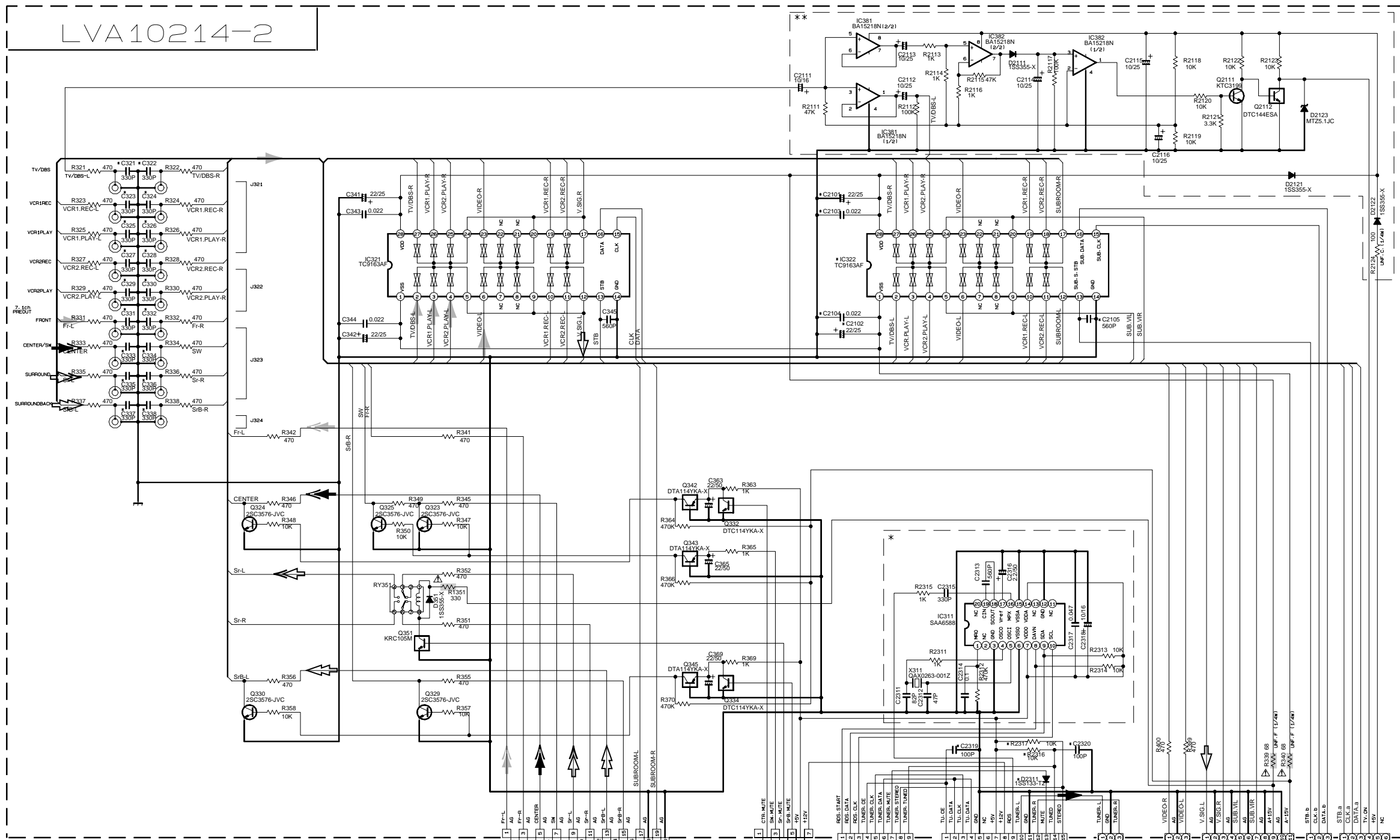
Sheet 5/10    Sheet 8/10    Sheet 10/10    Sheet 9/10    Sheet 5/10    Sheet 5/10    Sheet 1/10    Sheet 1/10

MARKLIST

	DP9V.J.C	DP10V.J.C	DP10RB.E.EN	V7000
C251-C266	NONE	NONE	USED	NONE
CN20B	NONE	USED	NONE	NONE
CN21B	NONE	USED	NONE	USED

\* [ ] DP10V.J.C ONLY    \*\*\* [ ] V7000 ONLY  
 \*\* [ ] DP10V.J.C&V7000 ONLY    \*\*\*\* [ ] EXCEPT V7000

Audio signal input 2 section



\* MARK LIST

	DP9VJ.C	DP10VJ.C	DP10RB.E.EN	V7000
C321-C338	NONE	NONE	USED	NONE
C2101-C2105	NONE	USED	NONE	USED
IC322	NONE	USED	NONE	USED
WR307, CN323, 324	USED	USED	USED	NONE
WR318	NONE	USED	NONE	USED
C2319, C2320	USED	USED	USED	NONE
R2316, R2317	USED	USED	USED	NONE
D2311	USED	USED	USED	NONE

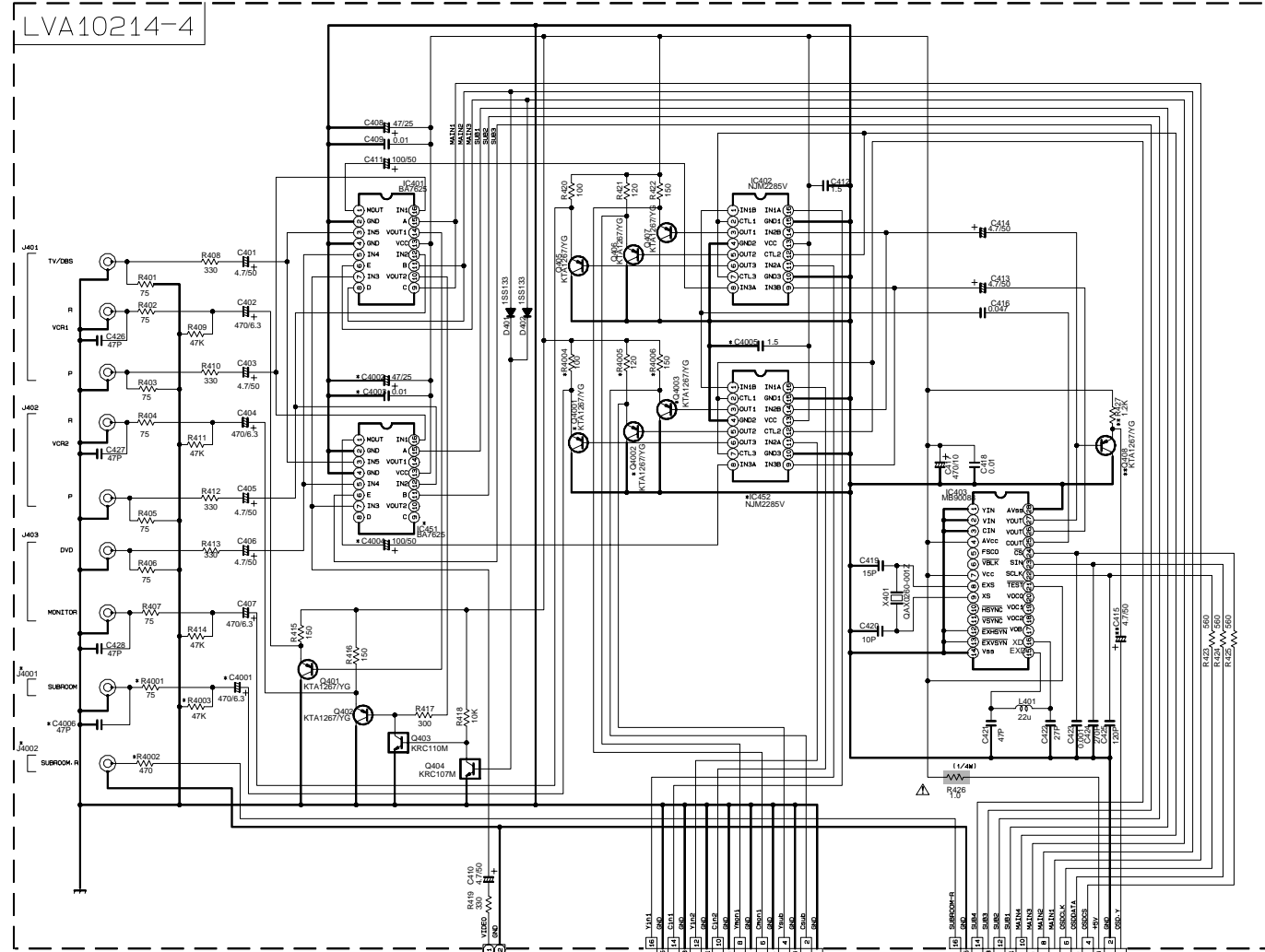
\* RX-DP10RB, E. EN ONLY  
 \*\* RX-DP10VJ, C&AX-V7000 ONLY

Sheet 1/10      Sheet 1/10      Sheet 8/10      Sheet 4/10      Sheet 8/10      Sheet 4/10      Sheet 4/10

- ▶ AUDIO
- ▶ TUNER
- ▶ MAIN
- ▶ FRONT
- ▶ CENTER
- ▶ SURROUND
- ▶ SRROUND BACK
- ⚠ Parts are safety assurance parts. When replacing those parts make sure to use the specified.

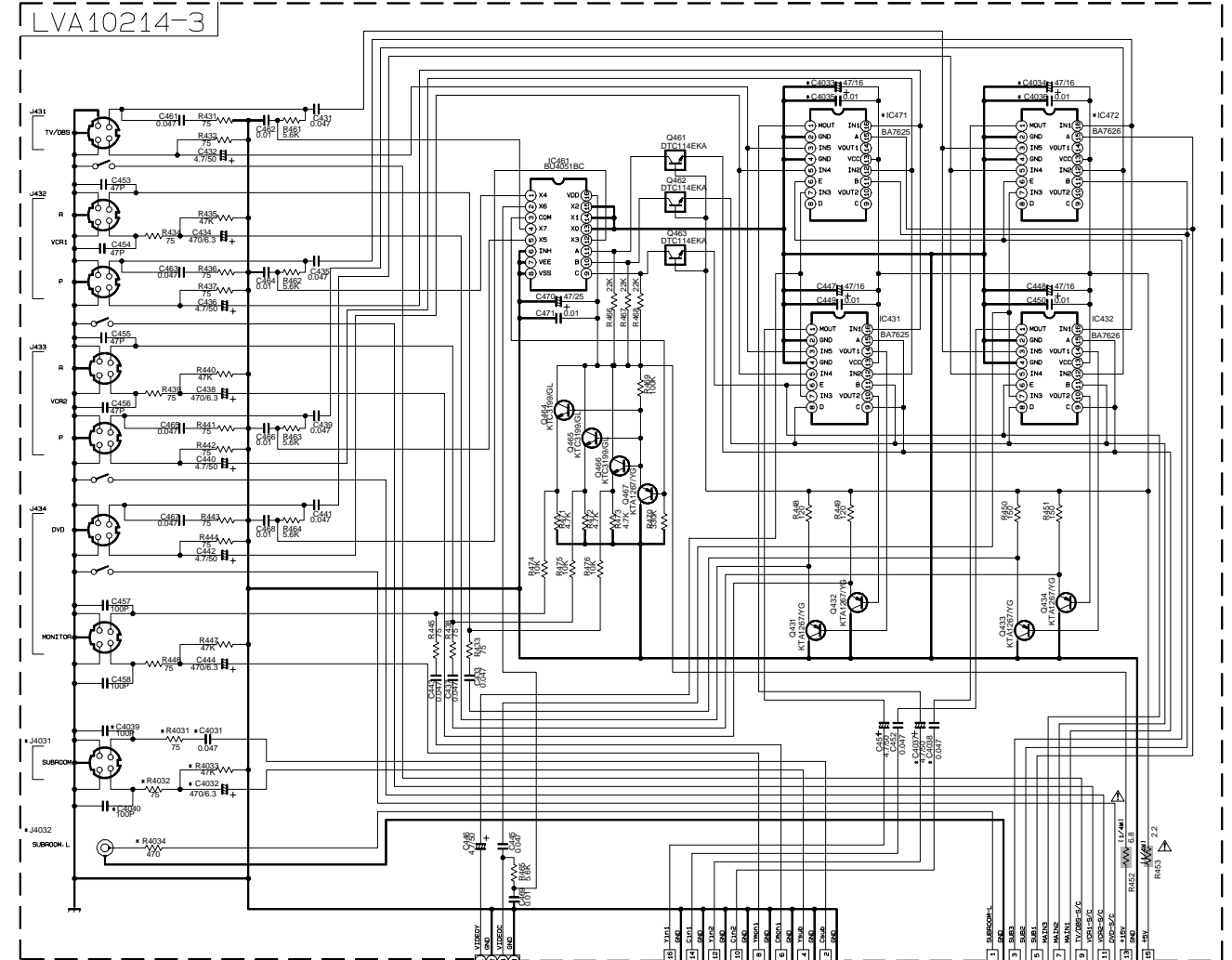


Video signal input 1 section



Sheet 8/10

Sheet 1/10



Sheet 8/10

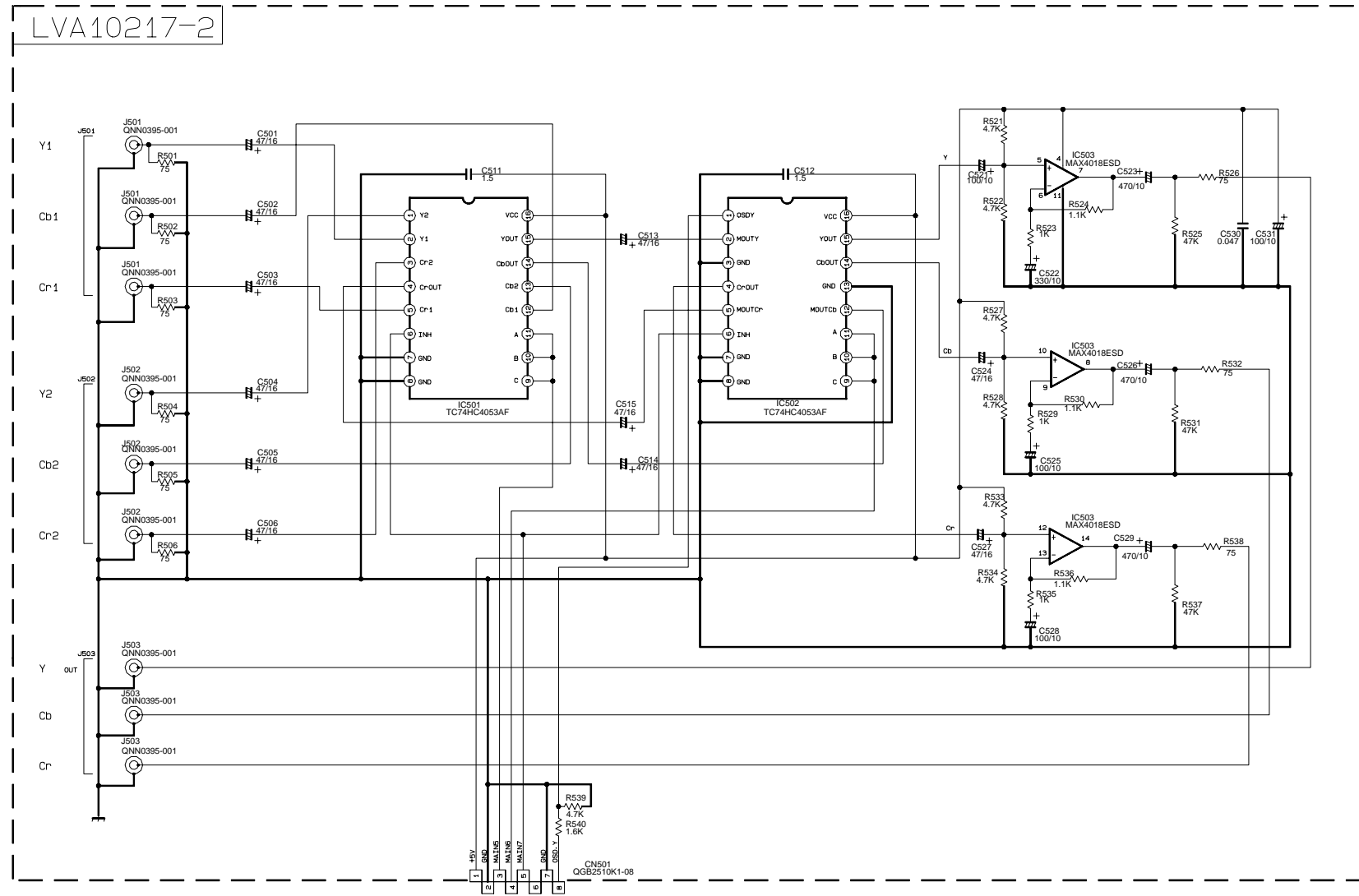
Sheet 1/10

\* MARK LIST

	DP9VJ.C	DP10VJ.C	DP10RB.E.EN	V7000
*	NONE	USED	NONE	NONE
**	USED	USED	NONE	USED

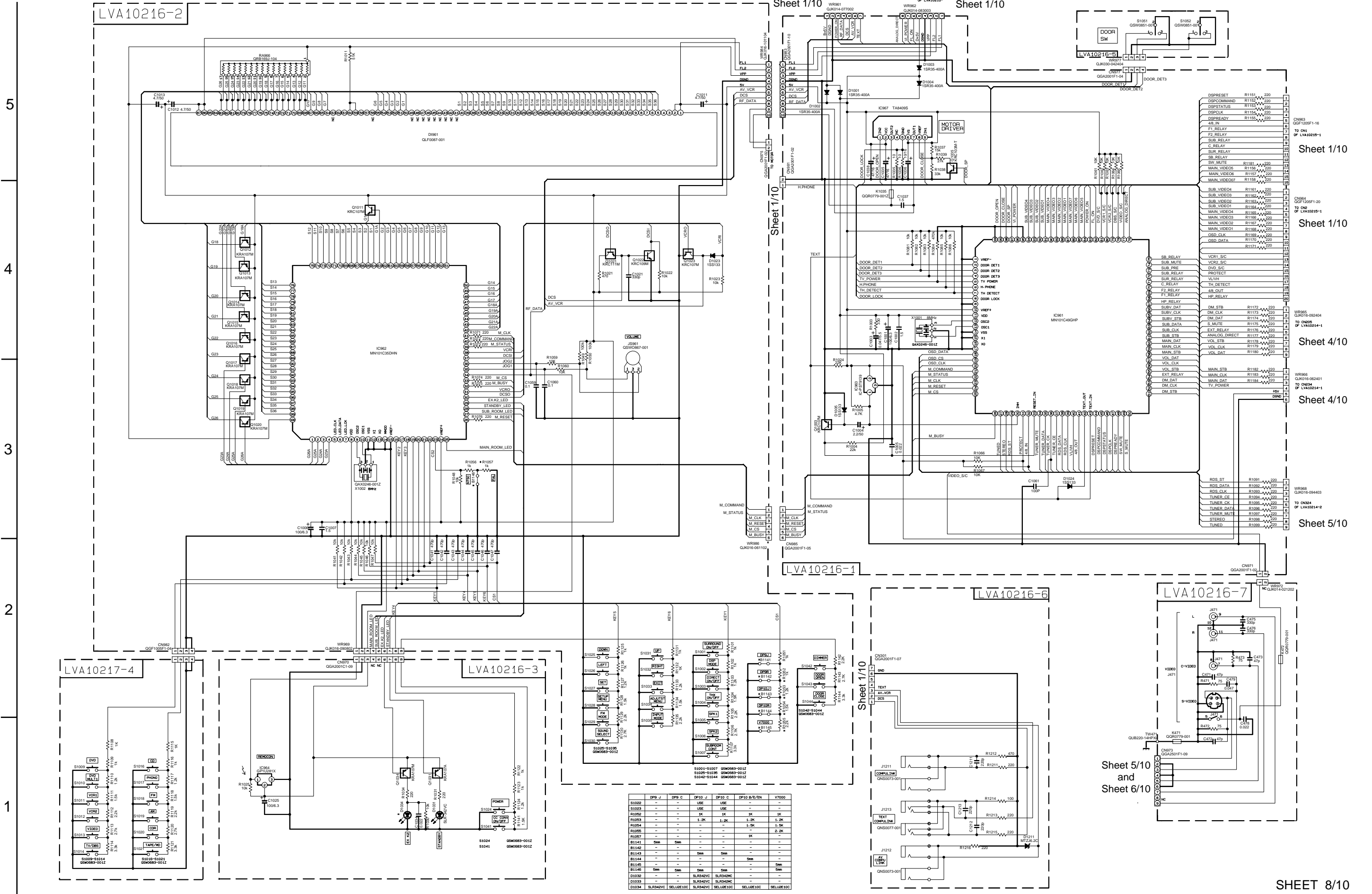
▲ Parts are safety assurance parts.  
When replacing those parts make sure to use the specified.

Video signal input 2 section



Sheet 1/10

FL display & system control section



REF	QTY	DESCRIPTION	VALUE	UNIT
S1000	1	DP9 J	DP9 J	
S1001	1	DP9 C	DP9 C	
S1002	1	DP10 J	DP10 J	
S1003	1	DP10 C	DP10 C	
S1004	1	DP10 B/E/XN	DP10 B/E/XN	
S1005	1	V7000	V7000	
S1006	1	USE	USE	
S1007	1	USE	USE	
S1008	1	1.2K	1.2K	1K
S1009	1	1.2K	1.2K	1K
S1010	1	1.2K	1.2K	1K
S1011	1	1.2K	1.2K	1K
S1012	1	1.2K	1.2K	1K
S1013	1	1.2K	1.2K	1K
S1014	1	1.2K	1.2K	1K
S1015	1	1.2K	1.2K	1K
S1016	1	1.2K	1.2K	1K
S1017	1	1.2K	1.2K	1K
S1018	1	1.2K	1.2K	1K
S1019	1	1.2K	1.2K	1K
S1020	1	1.2K	1.2K	1K
S1021	1	1.2K	1.2K	1K
S1022	1	1.2K	1.2K	1K
S1023	1	1.2K	1.2K	1K
S1024	1	1.2K	1.2K	1K
S1025	1	1.2K	1.2K	1K
S1026	1	1.2K	1.2K	1K
S1027	1	1.2K	1.2K	1K
S1028	1	1.2K	1.2K	1K
S1029	1	1.2K	1.2K	1K
S1030	1	1.2K	1.2K	1K
S1031	1	1.2K	1.2K	1K
S1032	1	1.2K	1.2K	1K
S1033	1	1.2K	1.2K	1K
S1034	1	1.2K	1.2K	1K
S1035	1	1.2K	1.2K	1K
S1036	1	1.2K	1.2K	1K
S1037	1	1.2K	1.2K	1K
S1038	1	1.2K	1.2K	1K
S1039	1	1.2K	1.2K	1K
S1040	1	1.2K	1.2K	1K
S1041	1	1.2K	1.2K	1K
S1042	1	1.2K	1.2K	1K
S1043	1	1.2K	1.2K	1K
S1044	1	1.2K	1.2K	1K
S1045	1	1.2K	1.2K	1K
S1046	1	1.2K	1.2K	1K
S1047	1	1.2K	1.2K	1K
S1048	1	1.2K	1.2K	1K
S1049	1	1.2K	1.2K	1K
S1050	1	1.2K	1.2K	1K
S1051	1	1.2K	1.2K	1K
S1052	1	1.2K	1.2K	1K
S1053	1	1.2K	1.2K	1K
S1054	1	1.2K	1.2K	1K
S1055	1	1.2K	1.2K	1K
S1056	1	1.2K	1.2K	1K
S1057	1	1.2K	1.2K	1K
S1058	1	1.2K	1.2K	1K
S1059	1	1.2K	1.2K	1K
S1060	1	1.2K	1.2K	1K
S1061	1	1.2K	1.2K	1K
S1062	1	1.2K	1.2K	1K
S1063	1	1.2K	1.2K	1K
S1064	1	1.2K	1.2K	1K
S1065	1	1.2K	1.2K	1K
S1066	1	1.2K	1.2K	1K
S1067	1	1.2K	1.2K	1K
S1068	1	1.2K	1.2K	1K
S1069	1	1.2K	1.2K	1K
S1070	1	1.2K	1.2K	1K
S1071	1	1.2K	1.2K	1K
S1072	1	1.2K	1.2K	1K
S1073	1	1.2K	1.2K	1K
S1074	1	1.2K	1.2K	1K
S1075	1	1.2K	1.2K	1K
S1076	1	1.2K	1.2K	1K
S1077	1	1.2K	1.2K	1K
S1078	1	1.2K	1.2K	1K
S1079	1	1.2K	1.2K	1K
S1080	1	1.2K	1.2K	1K
S1081	1	1.2K	1.2K	1K
S1082	1	1.2K	1.2K	1K
S1083	1	1.2K	1.2K	1K
S1084	1	1.2K	1.2K	1K
S1085	1	1.2K	1.2K	1K
S1086	1	1.2K	1.2K	1K
S1087	1	1.2K	1.2K	1K
S1088	1	1.2K	1.2K	1K
S1089	1	1.2K	1.2K	1K
S1090	1	1.2K	1.2K	1K
S1091	1	1.2K	1.2K	1K
S1092	1	1.2K	1.2K	1K
S1093	1	1.2K	1.2K	1K
S1094	1	1.2K	1.2K	1K
S1095	1	1.2K	1.2K	1K
S1096	1	1.2K	1.2K	1K
S1097	1	1.2K	1.2K	1K
S1098	1	1.2K	1.2K	1K
S1099	1	1.2K	1.2K	1K
S1100	1	1.2K	1.2K	1K

DSP section

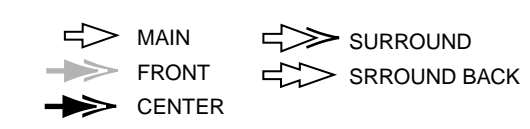
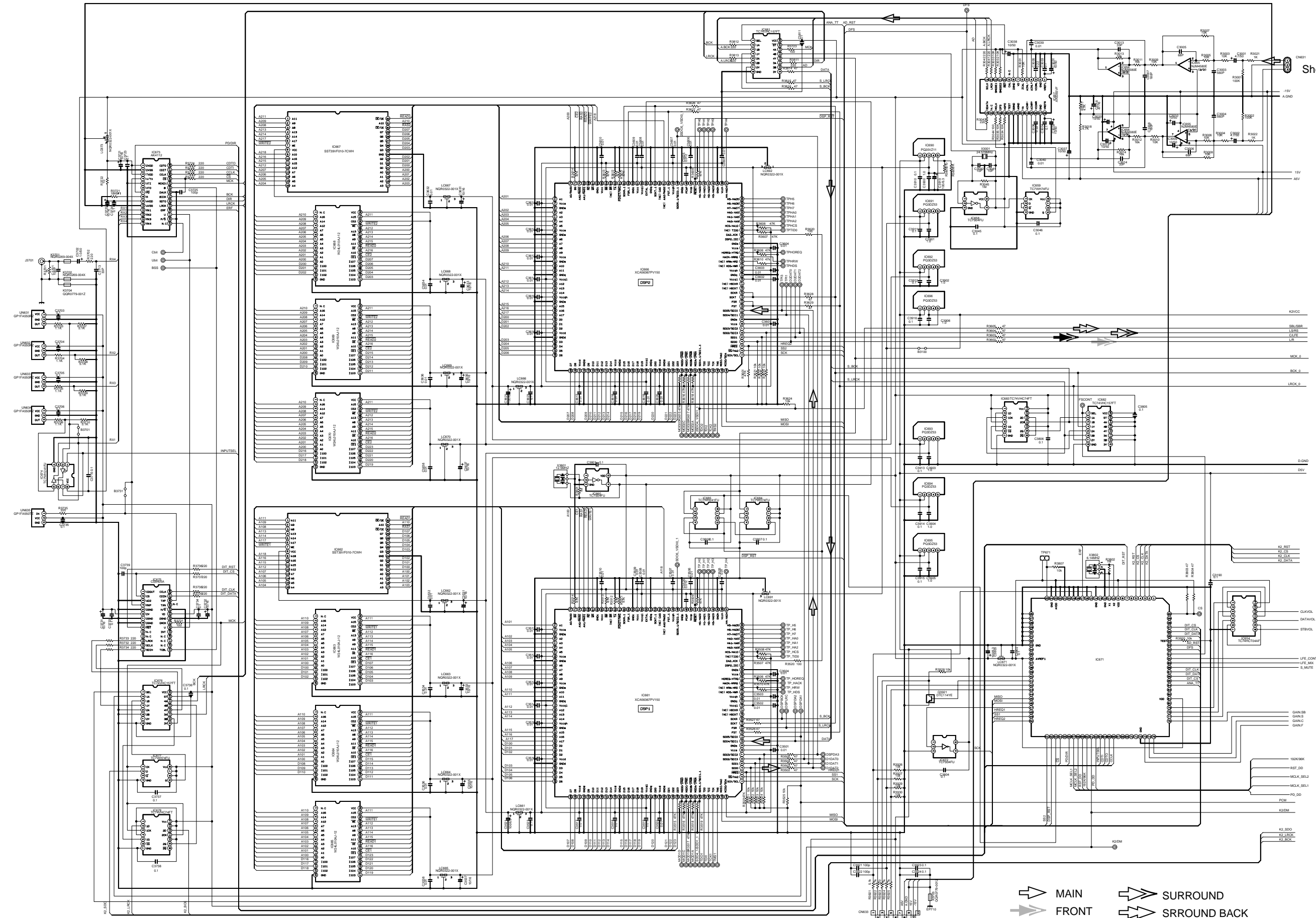
5

4

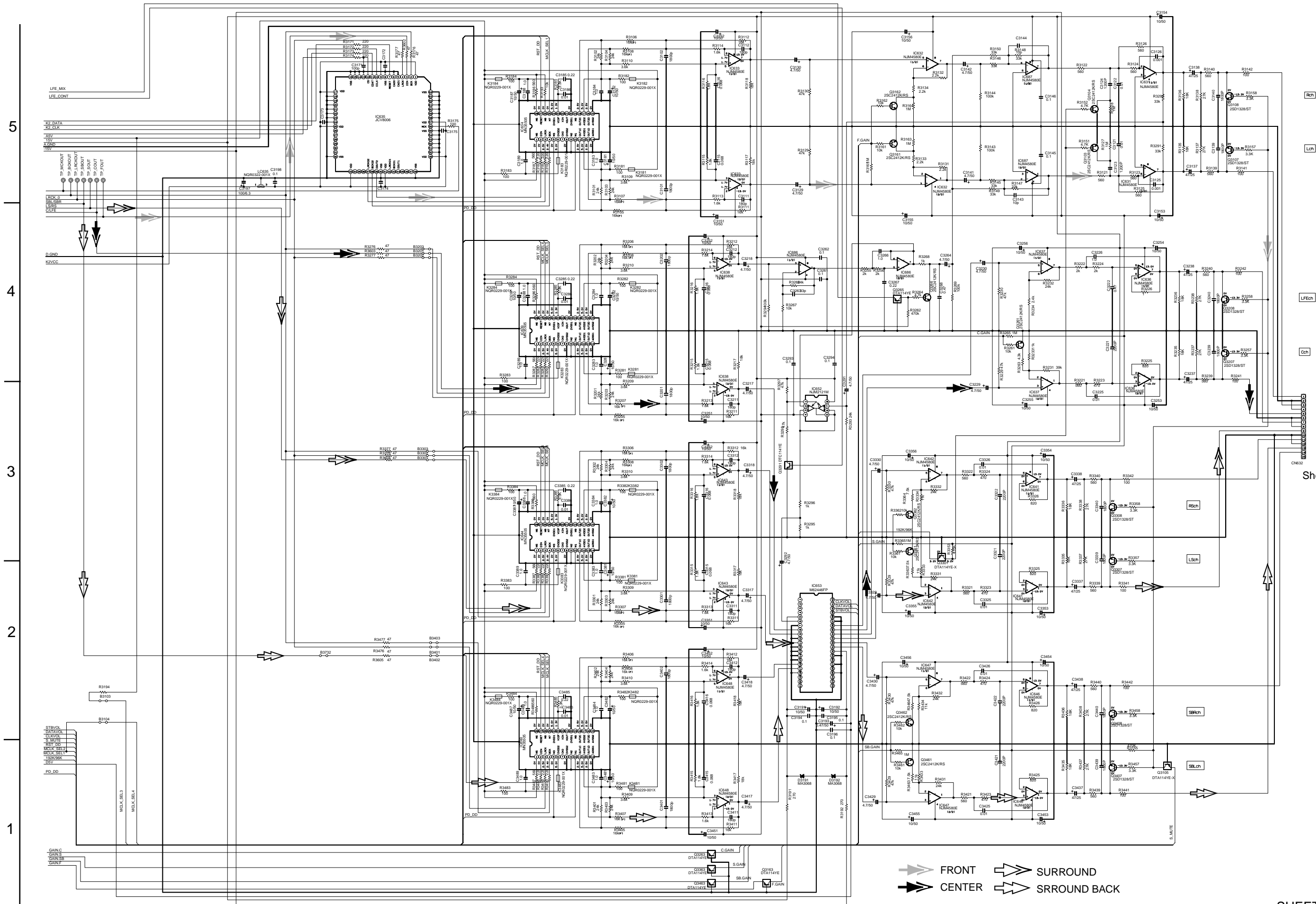
3

2

1



A B C 2-12 D E F G H



Sheet 4/10

# Printed circuit boards

■ Amp. board (Reverse side)

5

4

3

2

1

Relay board

Lch pre amp.

Rch pre amp.

Surround pre amp.

Center pre amp.

Speaker board

Power amp. board

A

B

C

2-14

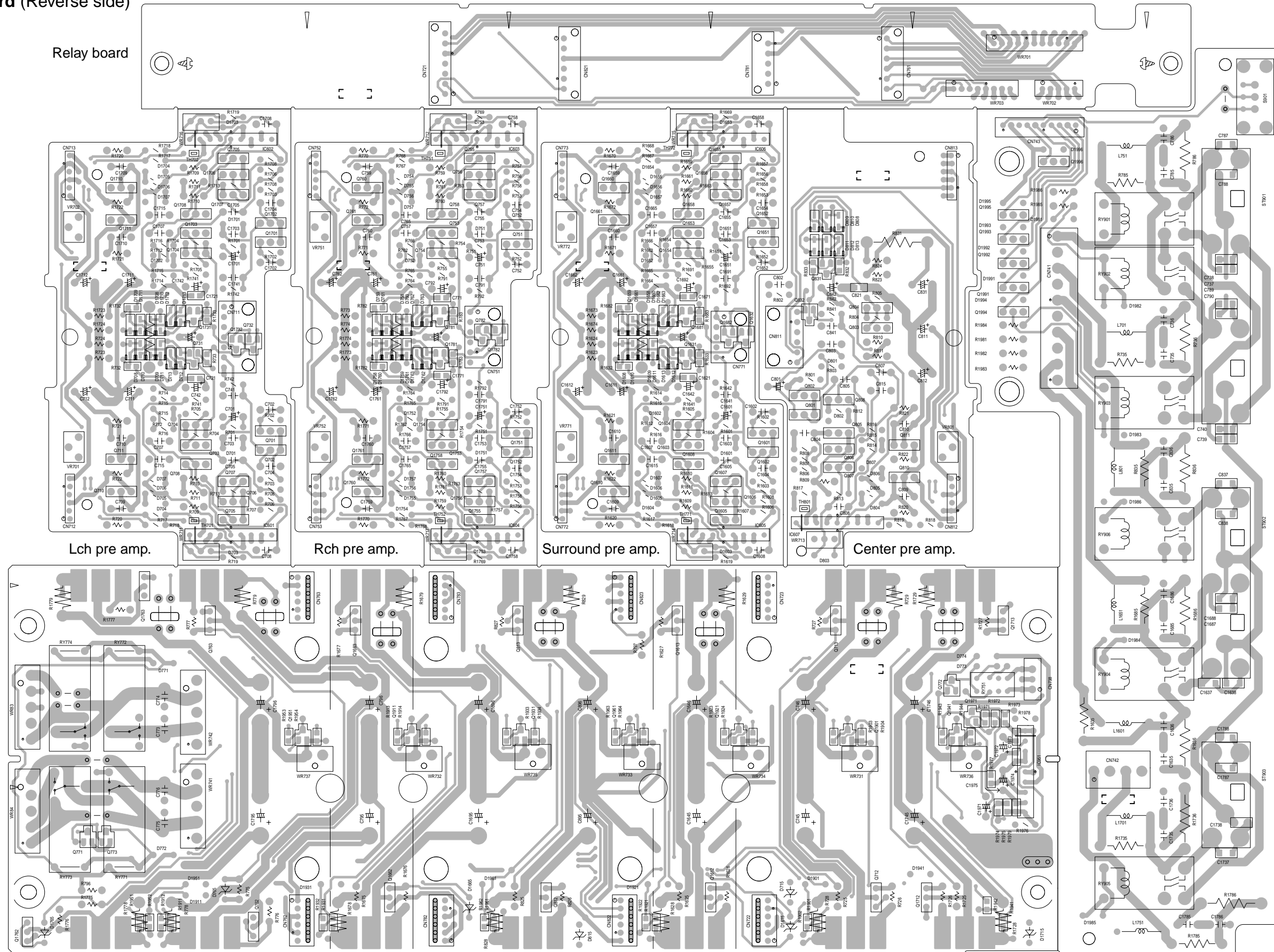
D

E

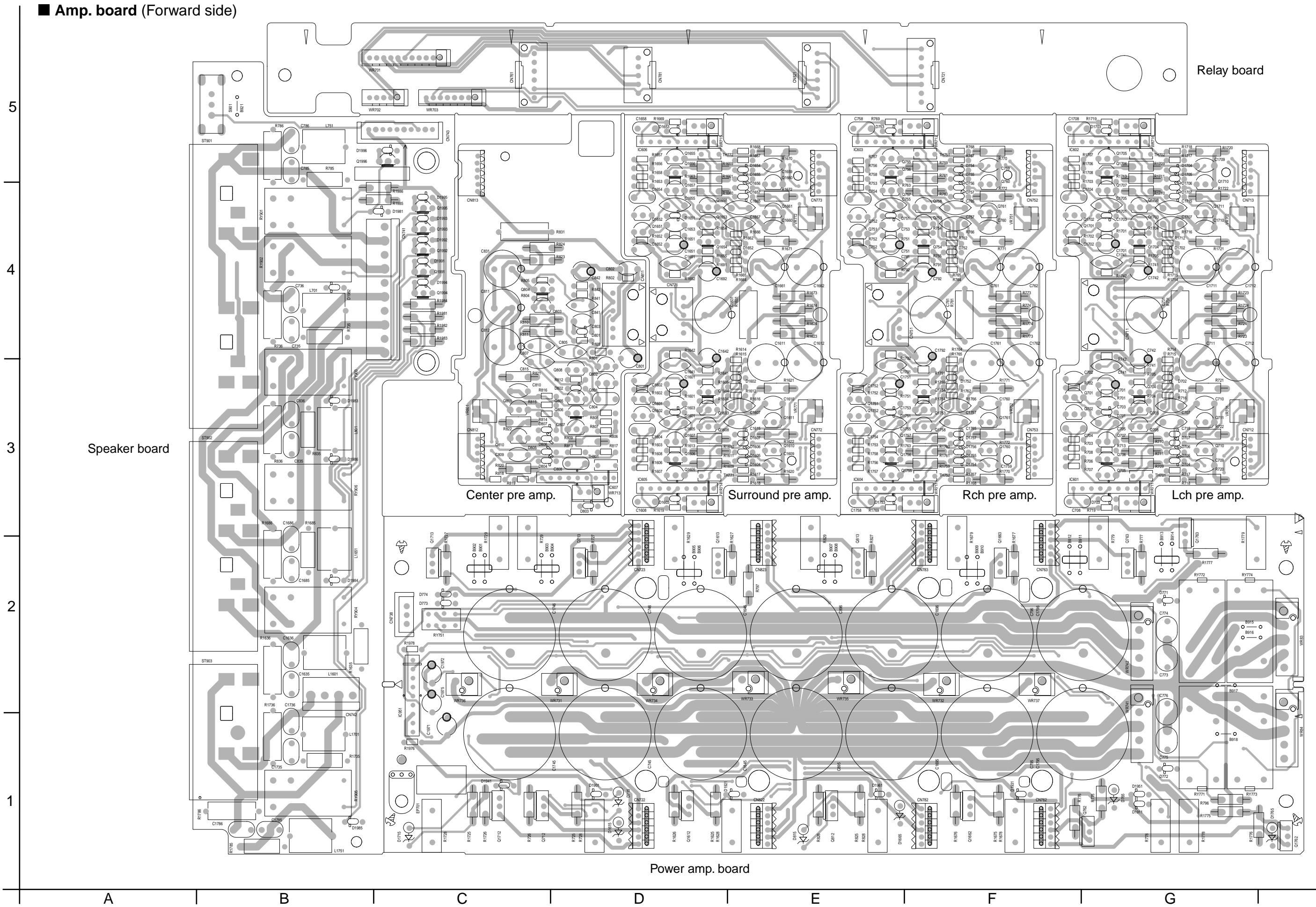
F

G

H



■ Amp. board (Forward side)





Audio/ video board (Reverse side)

5

4

3

2

1

Audio signal 1 board

Audio signal 2 board

Video board

S video board

A

B

C

2-16

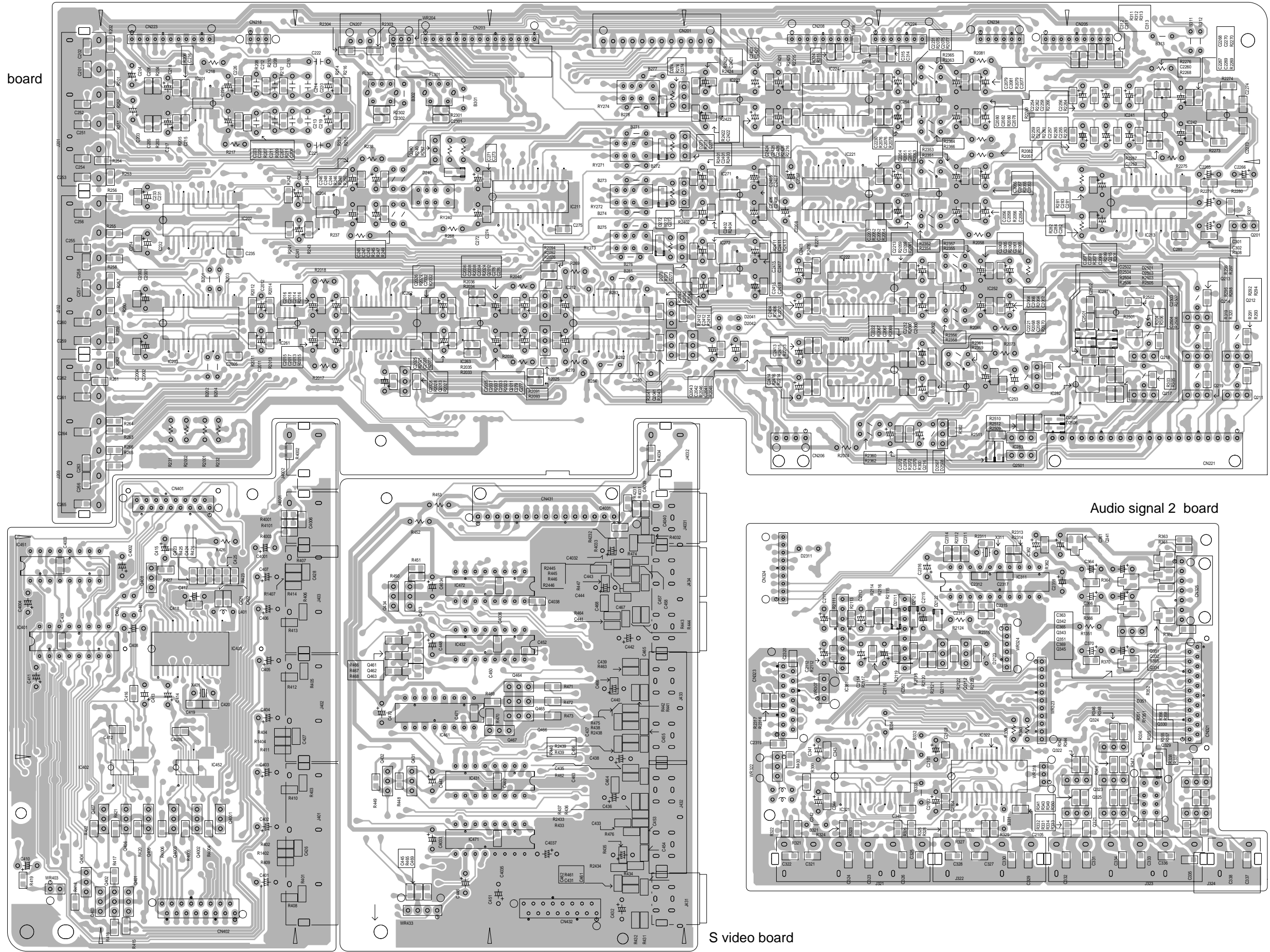
D

E

F

G

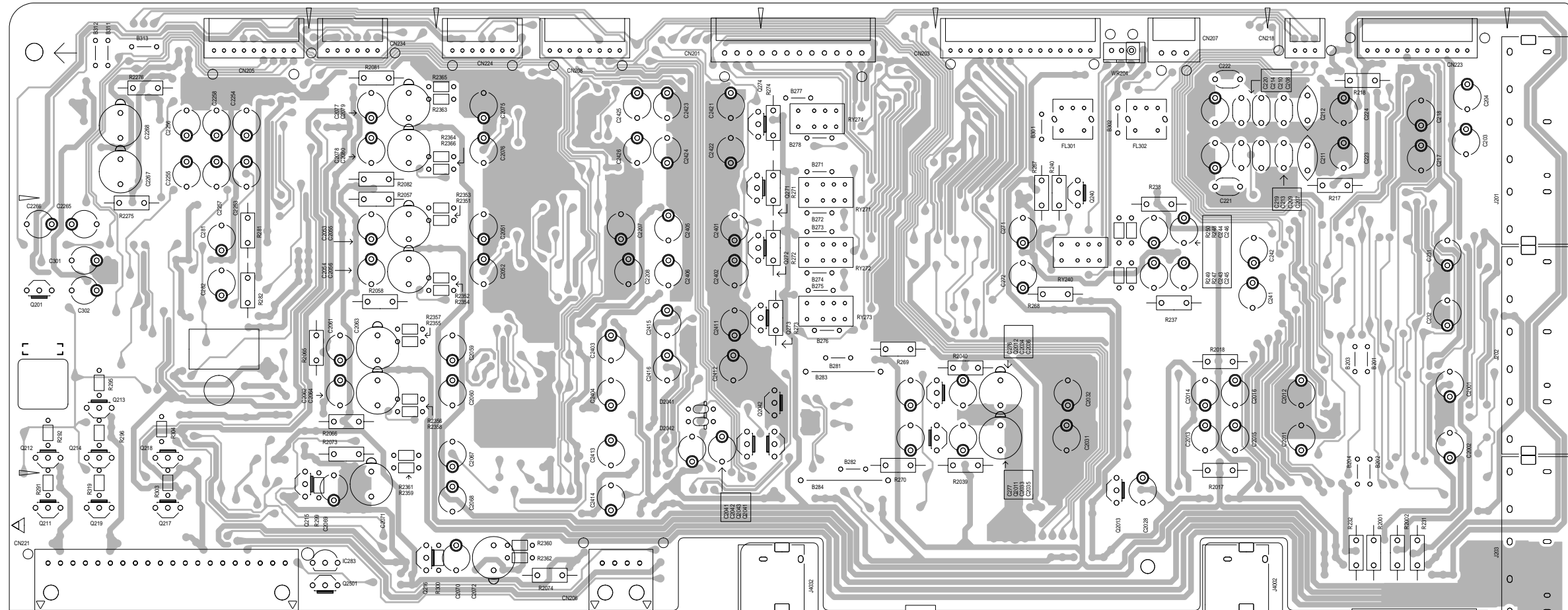
H



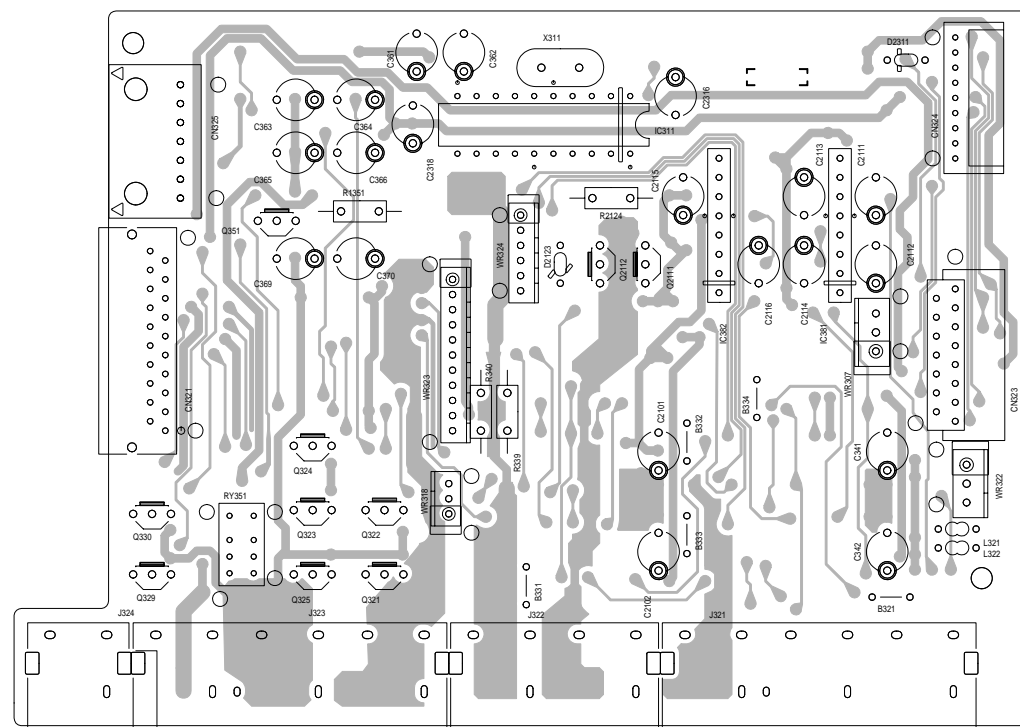


■ Audio/ video board (Forward side)

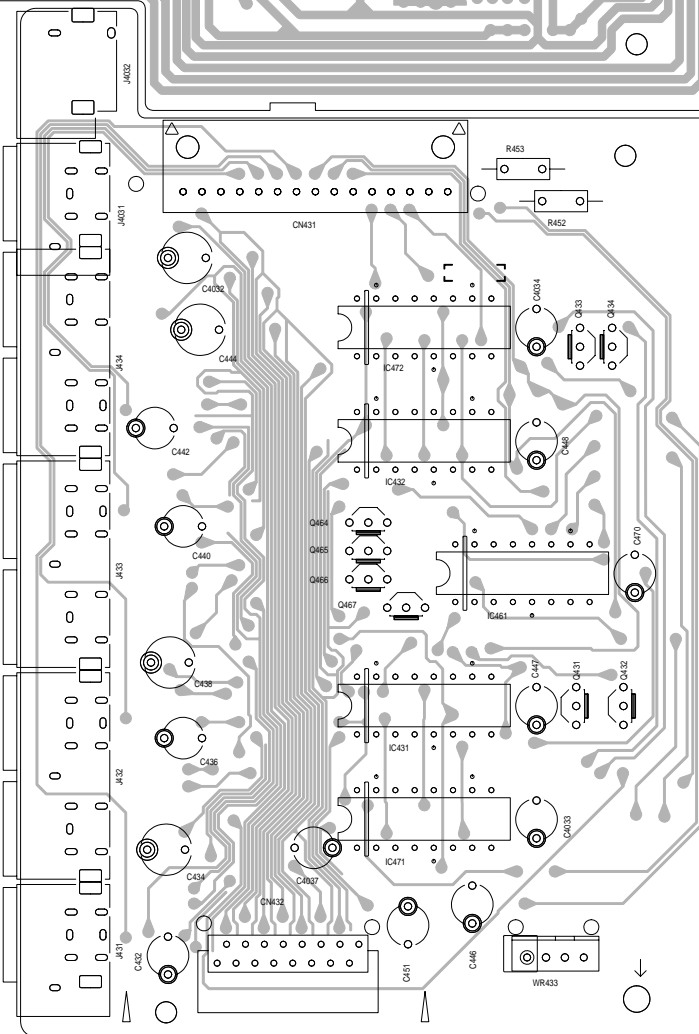
Audio signal 1 board



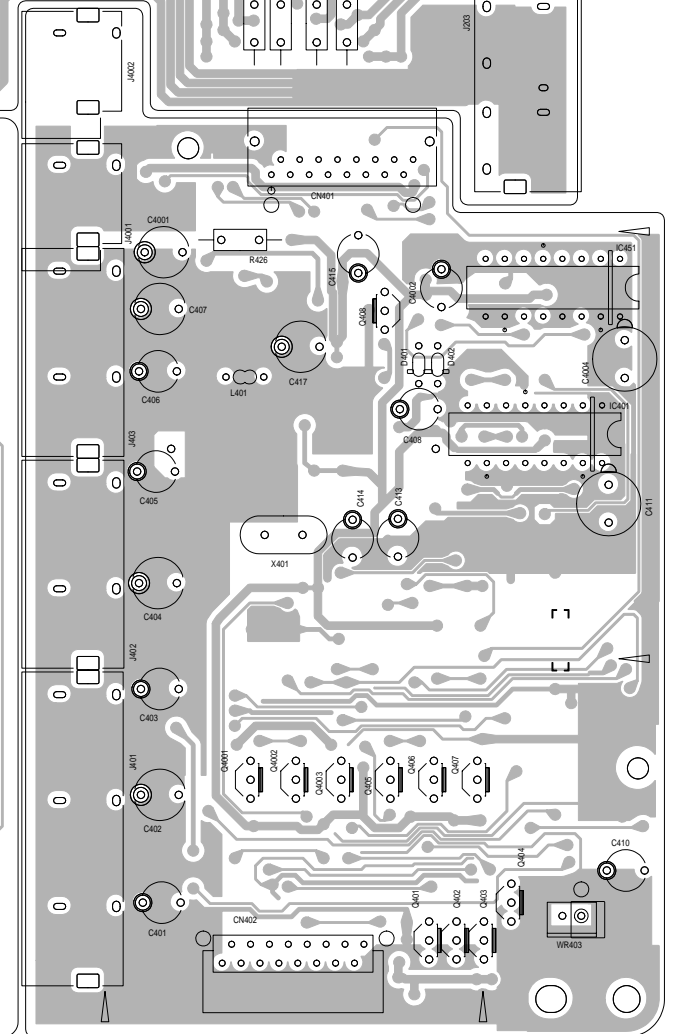
Audio signal 2 board



S video board



Video board



5

4

3

2

1

A

B

C

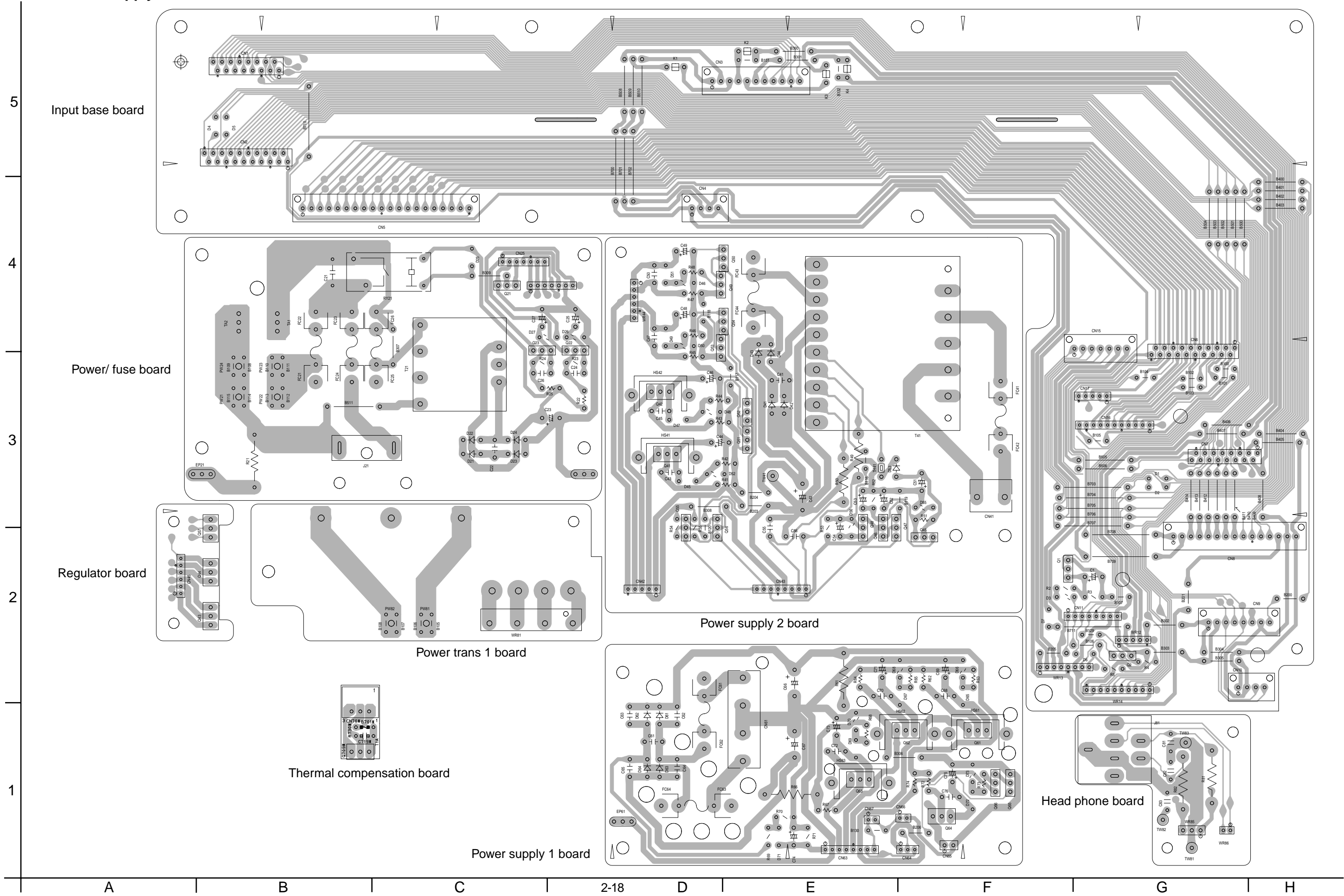
D

E

F

G

■ Power supply board



Input base board

Power/ fuse board

Regulator board

Power trans 1 board

Power supply 2 board

Thermal compensation board

Power supply 1 board

Head phone board

A

B

C

2-18

D

E

F

G

H

5

4

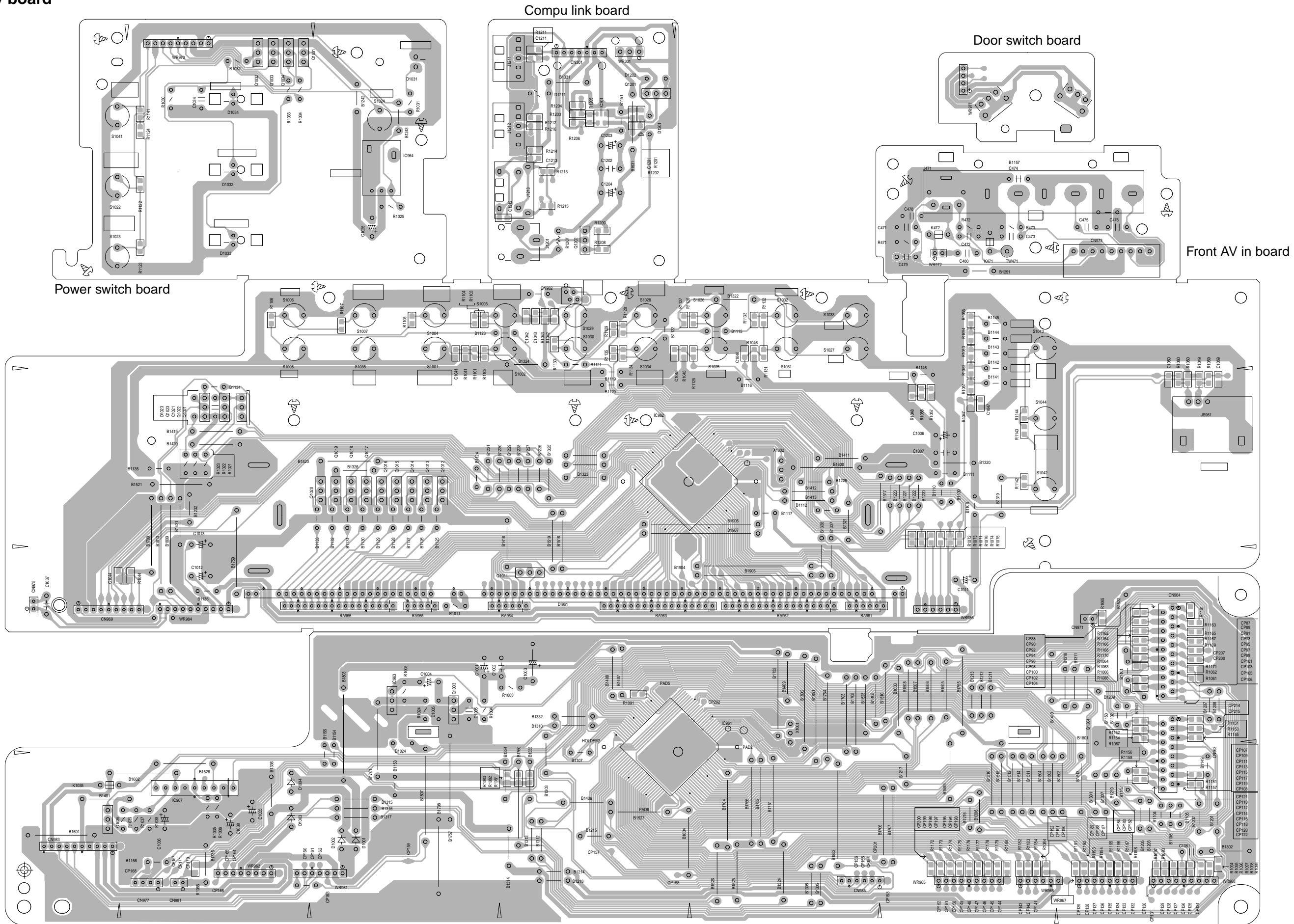
3

2

1

■ FL display board

5  
4  
3  
2  
1  
A B C D E F G



Power switch board

Compu link board

Door switch board

Front AV in board

System control board

■ DSP board (Reverse side)

5

Power trans 2 board

4

3

Door input board

2

Amp. sub Lo board

Amp. sub Hi board

Video SEP board

1

A

B

C

2-20

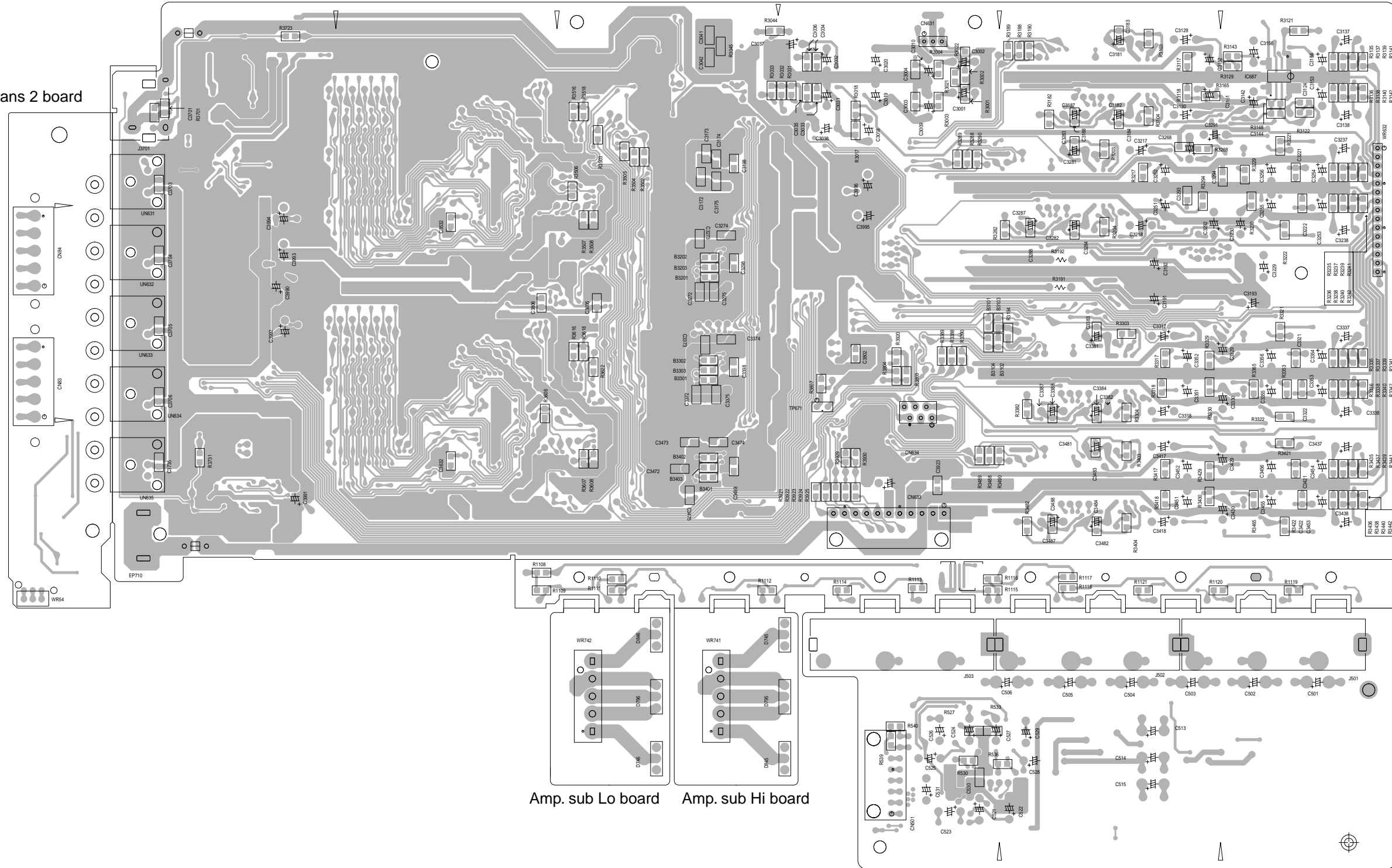
D

E

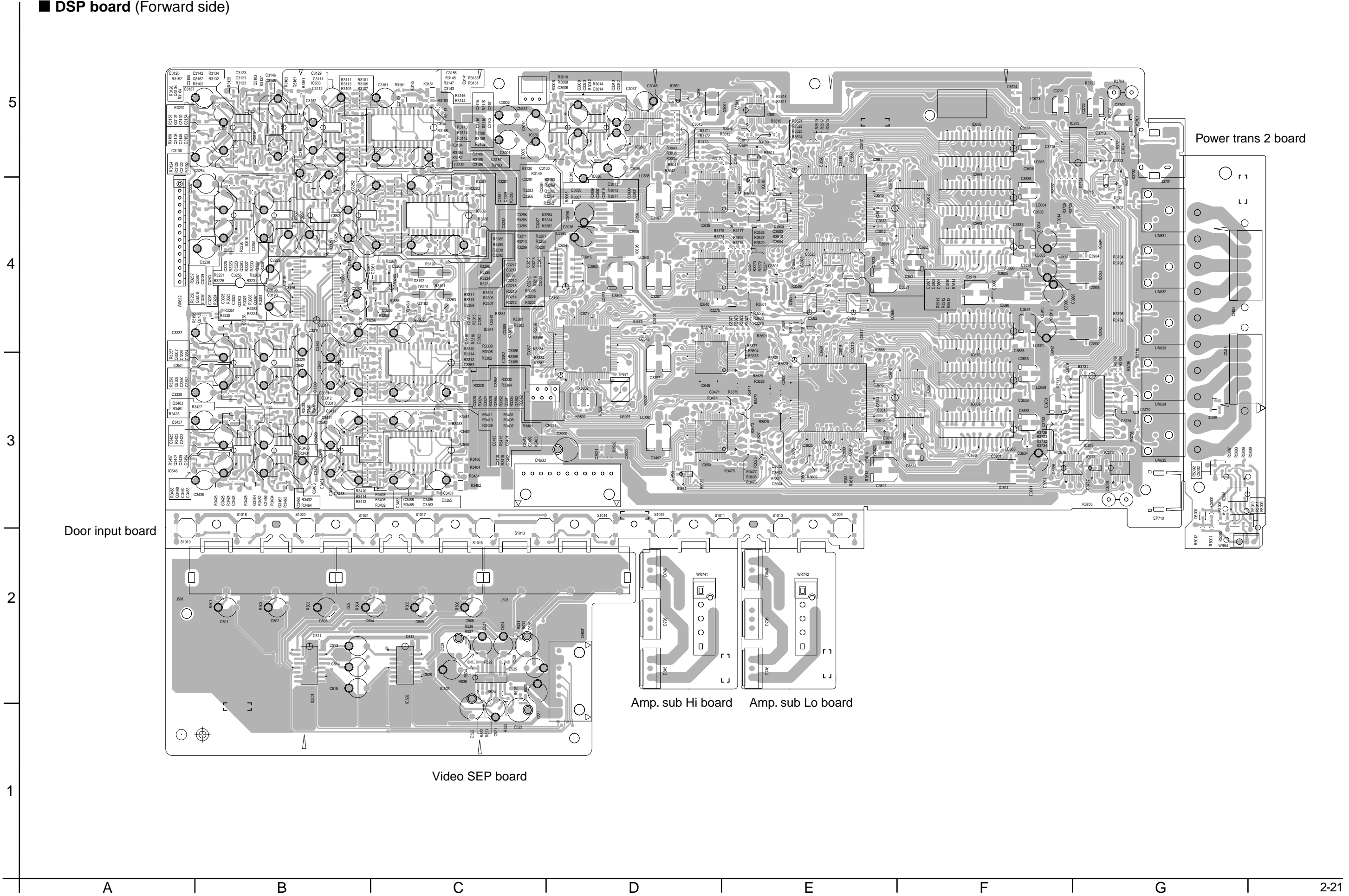
F

G

H



■ DSP board (Forward side)



Power trans 2 board

Door input board

Video SEP board

Amp. sub Hi board Amp. sub Lo board